

The Iril is made from Durolux® thermoset plastic, this seat is long-lasting and offers a ceramic-like shine. The stainless steel hinges provide superior strength and install easily.



SEAT FEATURES

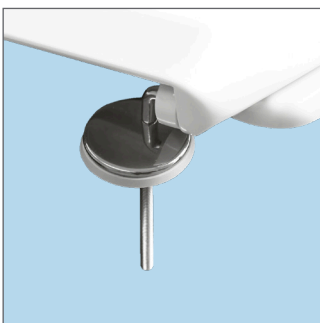


Scratch Resistant - made from hard, Durolux® material that resists scratches



Heat Resistant - High resistance to burns and flames.

- Long-lasting Durolux® thermoset plastic offers a ceramic-like shine
- Adjustable stainless steel hook hinges
- Fits majority of manufacturers' universal shaped pans



SEAT DIMENSIONS

- Individual Seat Weight: 1.80 kg
- 7 seats per master carton

