

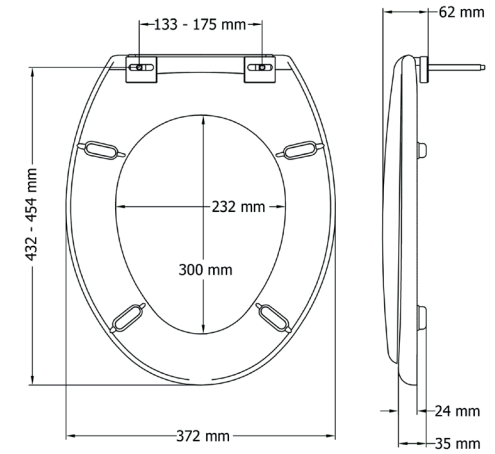


Features



- Long-lasting Duroplast plastic is scratch and heat resistant and offers a ceramic-like shine.
- Adjustable plastic hinge.

2211PP000



Name	Part number	Colour	Hinge	EAN	Ring bumper	Cover bumper	Weight	MQ	STD Pallet
Forli	2211PP000	White	Adjustable plastic	5012799281947	4	2	1.20 kg	7	168