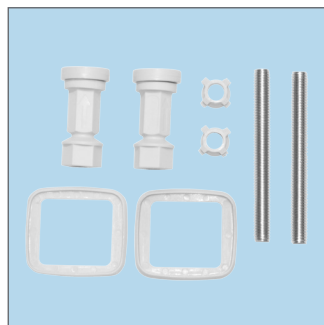


The Memphis STA-TITE® is designed for universal pans. Made from American Innova® Generation XXI moulded wood material, this seat is more highly compressed than standard wood, providing a more stylish, thin profile design. The chrome-plated hinges provide a stylish accent for your bathroom and adjust to help achieve the perfect fit to your pan. This seat features STA-TITE®: the patented fixing system that always stays tight and takes the guesswork out of installation. The lower portion of the nut shears off when the proper tightness is reached, so you cannot over-tighten.



SEAT FEATURES



STA-TITE® - patented fixing system that will not loosen! Simple, "no mess" installation ensures your seat stays tight on the pan



Non-Slip Bumpers - provide extra grip so the seat stays securely on the pan



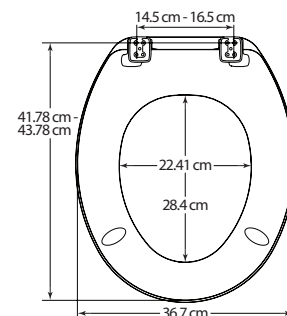
Highly Stylised Design - thin profile provides a highly stylised look for your bathroom



Environmentally Friendly - made with responsibly sourced woods and water-based paints

- Durable American Innova® moulded wood
- Adjustable chrome-plated hinges
- Fits majority of manufacturers' universal shaped pans

SEAT DIMENSIONS



No More Loose Seats!

Try STA-TITE[®], the patented Bemis fixing system that will not loosen over time!

“No mess” installation is fast and easy, ensuring your seat stays tight.



STATITE[®]
No More Loose Seats!

Installation is Fast & Easy:

When fitted correctly, the seat will not slip, wobble or shift on the pan. This simple fixing system installs in three basic steps -- no glue required!



Finger Tighten



Tighten with Spanner



Snap to Secure


BEMIS