

The Ashford is designed for universal pans and is made from durable Tecnoplast thermoplastic material. This seat features durable plastic hinges that adjust to help achieve the perfect fit to your pan.

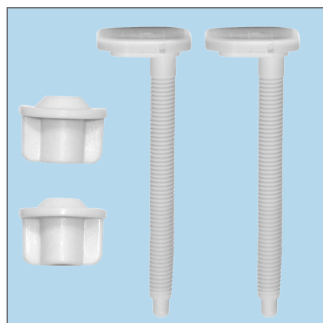
**SEAT FEATURES**

Virtually Unbreakable - made from Tecnoplast material that provides superior durability



Recyclable - made from Tecnoplast material that is 100% recyclable

- Tecnoplast thermoplastic offers superior durability
- Adjustable plastic hinges
- Fits majority of manufacturers' universal shaped pans

**SEAT DIMENSIONS**